

Hand Pallet Truck (Tandem PU Rollers)

GPT 2500/W/NT

- **2500 Kg Lifting Capacity**
Now your pallet trucks can easily handle heavier pallets, reducing the number of trips for material movement. With a high lift of 200 mm, a wide range of pallets can be handled.
- **Heavy Duty Hydraulic Unit**
Hydraulic pump being a critical part of a pallet truck, needs to withstand thousands of Lift/Lower cycles. This unit in GPT 2500 is easy and inexpensive to maintain, with genuine spare parts that are easily available.
- **High Tensile Steel Forks**
The bend profile of the forks provides extra strength at key stress areas. It also ensures lower wear of forks while handling pallets.
- **Three Position Control Lever For Easy Operation**
An easy to operate 3 position lever, with lower, lift and neutral positions increases productivity. In the neutral position the handle is disconnected from the pump unit, reducing the effort required to travel with load thereby reducing operator fatigue. Spring loaded handle ensures that it returns back to vertical position when released.
- **Tandem Load Rollers For Easy Movement**
Tandem load rollers are provide to ensure that the pallet truck has a constant contact with the ground, even on uneven surfaces. It also provides uniform distribution of load on the rollers, thus increasing their life.
- **Polyurethane Steering And Castor Wheels For Longer Life**
Polyurethane wheels reduce operator effort in handling the load. Further with longer work life, the downtime and maintenance costs are reduced.



Value for money



Rugged and reliable



Long life

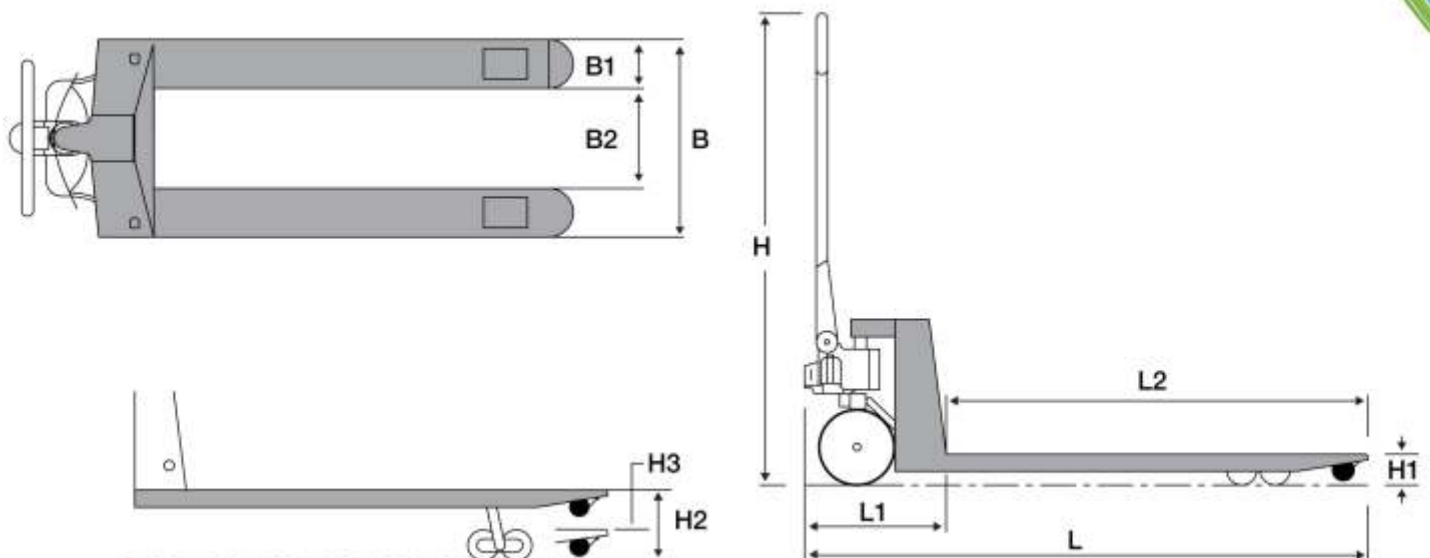


GODREJ 2 TONNE HYDRAULIC PALLET TRUCK

Technical Specifications

MODEL			GPT 2500	GPT 2500 W	GPT 2500 NT
Load Capacity	-	kg	2500	2500	2500
Fork length	(L2)	mm	1150	1150	1150
Fork Width	(B1)	mm	160	160	160
Outside Fork Spread	(B)	mm	550	680	550
Inside Fork Spread	(B2)	mm	230	360	230
Maximum Fork Height	(H2)	mm	200	205	200
Lift	(H3)	mm	115	120	115
Lowered Fork Height	(H1)	mm	85	85	85
Head Length	(L1)	mm	415	415	415
Overall Length	(L)	mm	1540	1540	1540
Overall Height	(H)	mm	1220	1220	1220
Truck Weight	-	kg	66	66	66
Steering Wheels (Diameter X Width)	-	mm	Ø180 X 50	Ø180 X 50	Ø170 X 50
Load Wheel (Diameter X Width)	-	mm	Ø80 X 70	Ø80 X 70	Ø80 X 70
Load Wheel Type	-	-	Tandem, Polyurethane	Tandem, Polyurethane	Tandem, Nylon
Drive Wheel Type	-	-	Polyurethane	Polyurethane	Nylon
Colour	-	-	Red	Red	Red

Note: All dimensions and specification indicated above are subject to a variation of $\pm 15\%$ without notice.



MASCOT[®]
CNC Tools & Equipments Pvt. Ltd.

16/28, Vijay Plot, Khodiyar Chowk,
Bhaktinagar Industrial Area, Rajkot-360002. (Gujarat). India.
Mobile : 97370 44233
Email : admin.mhe@mascottools.in